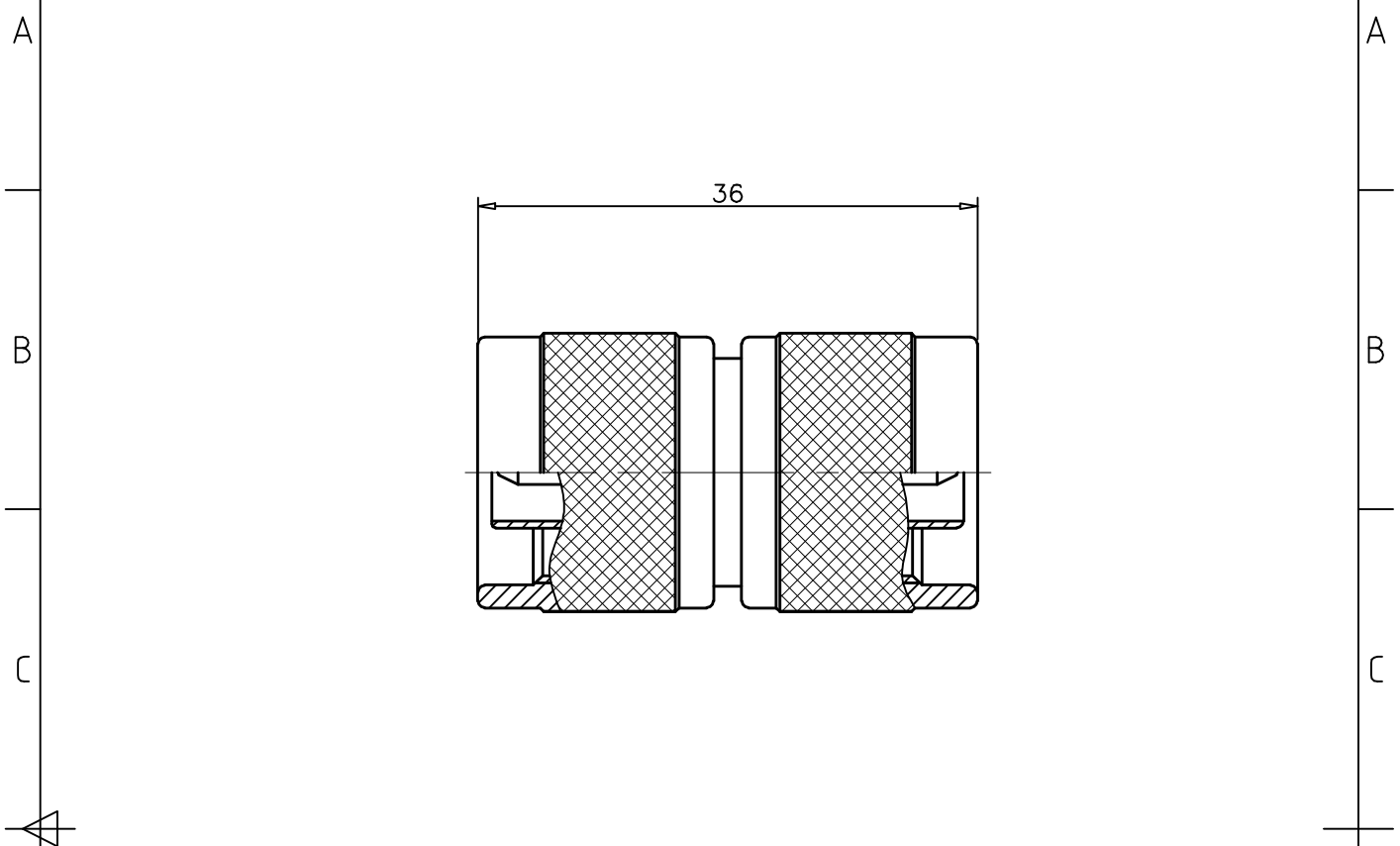


1	2	3	4	
RevNo	Revision note	Date	Signature	Checked
00	Sketch Only	5/12/14	Teresa	Simon



Material & Finishing:

1. Center conductor: Brass, Gold Plating
2. Insulators: PTFE
3. Body : Brass, Nickel Plating
4. Gasket: Silicone Rubber
5. Coupling Nut: Brass, Nickel Plating
6. Snap Ring: Phosphor Bronze

RoHS Compliant.

ALL DIMENSIONS ARE IN MILLIMETERS AND [INCHES]

Title			
N male to male			
Drawn by Teresa	Ckd by Simon	Appd by Richard	Date 6/26/2014
Scale 2:1	Sheet 1 of 1	A8080 11 1111 01	

KERUI ELECTRONIC CO;LTD			
<small>THESE DRAWING &amp; SPEC. ARE THE PROPERTY OF KERUI ELECTRONIC CO;LTD AND SHALL NOT BE REPRODUCED, OR COPIED OR USED AS THE BASIS FOR THE MANUFACTURE OR SALE OF APPARATUS OR DEVICES WITHOUT THEIR EXPRESS WRITTEN CONSENT.</small>			
<small>UNLESS OTHERWISE NOTED ALL SURFACES FINISHED TO 64/MAX.</small>			
<small>ALL TOLERANCES ARE:</small>			
DECIMALS	FRACTIONS	ANGLES	
x ± 1.0	±1/64	x' ± 1°	
x.x ± 0.5		x'x' ± 0.5°	
x.xx ± 0.1			